

The EVE



www.justvertical.com

support@justvertical.com

EVE

Operations

Manual

BY JUST VERTICAL

THE ULTIMATE USER HANDBOOK

Welcome to the Food Revolution! You are embarking on a journey towards a healthier and happier home. We are so glad that you could join us.

The important changes the world needs only happen because of people like you. This book has everything you need to successfully grow with the EVE.

We believe in our product and have backed it with a 2-year warranty.

BY

Just Vertical

This book was written by all of our amazing engineers, scientists, and designers. If you have any questions please reach out to us (support@justvertical.com)

For your safety, read and understand all instructions prior to installing or starting the EVE. Failure to follow instructions could lead to damages, injury or fire.



TABLE OF CONTENTS

04 **Set-Up**
Your easy to follow setup guide

07 **Planting Seeds**
Learn what it takes to get your plants started

09 **Nutrients**
What are they, how much do you need

10 **Pruning, Stakes, & Pollination**
How & Why

11 **Harvesting**
How to harvest, when to harvest, and how much to harvest

13 **Troubleshooting**
What to do when things aren't working the way that they should be

16 **Maintenance**
How to take care of your unit



SCAN ME

Set-up

Setting up the EVE is simple thanks to a little bit of work on our end, you'll need just a few minutes once it arrives to get growing. We've kept it quick for you because you have better things to do (like tasting our 10 different kinds of kale!)

Step-by-Step:

1. Choose a nice place to show off your EVE. It needs to be near an outlet and ideally has neutral light with a room temperature of 18 – 25 degrees Celsius.

2. Unpack and make sure all of your parts are inside the cabinet. You will find:

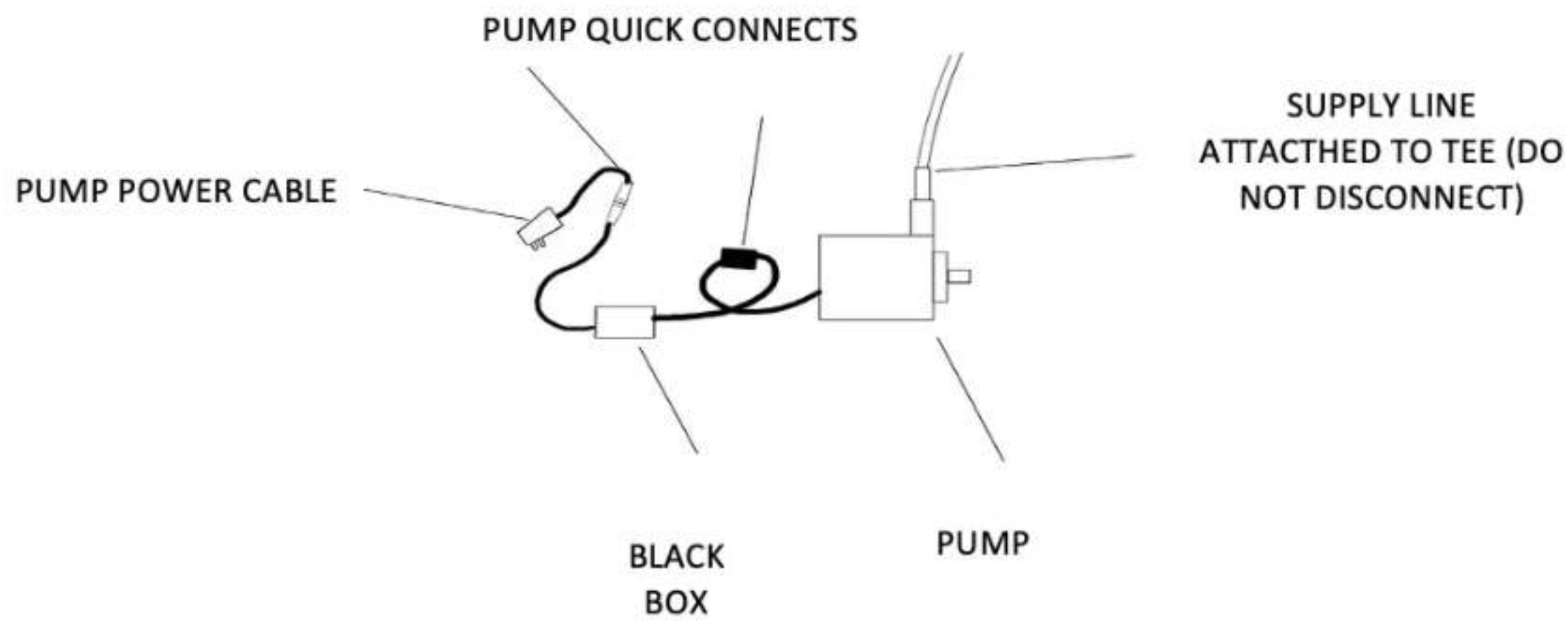
- a. 1x GFCI attachment
- b. 1x 12L BPA-free water reservoir
- c. 1x Pump and housing box
- d. 1x Light timer and dimmer
- e. 4x EVE feet
- f. 16x EVE feet screws
- g. 1x Allen key
- h. 1x Seedling Kit
 - 16x Starter seeds and plugs
 - 1x 60mL Vega A nutrient bottle
 - 1x 60mL Vega B nutrient bottle

3. To put on the feet of the EVE:

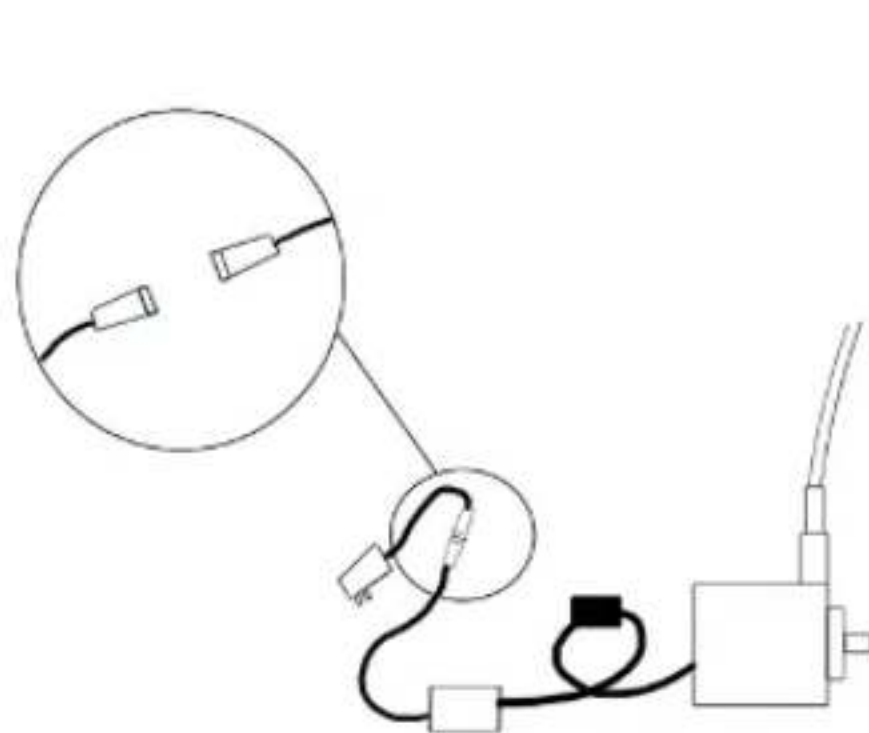
- a. Make sure the EVE is lying flat on its back either on a carpet or the cardboard packaging for the EVE. This is to avoid damages to your EVE or your floors.
- b. Align the holes on the EVE feet with the holes on the bottom of the cabinet.
- c. Insert the screws into the holes and tighten .

Set-up

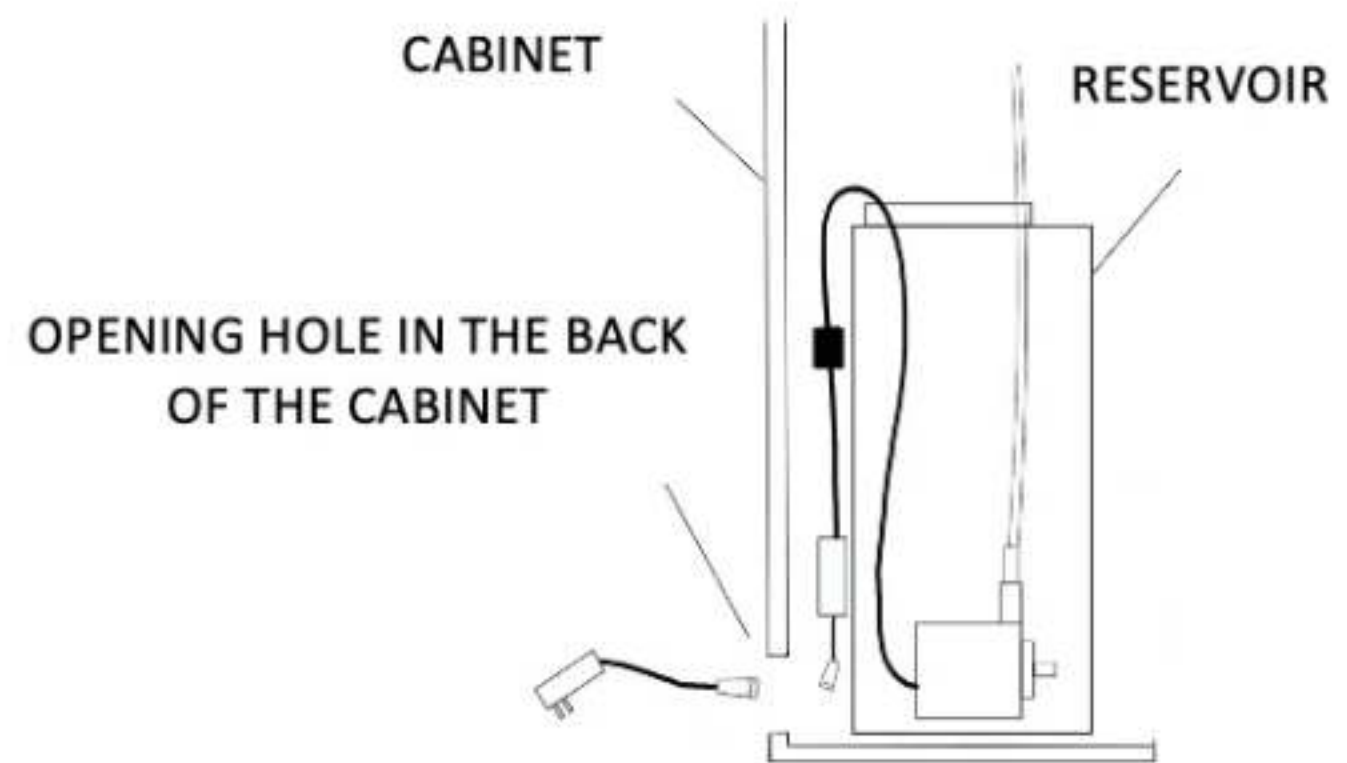
4. Pump set-up:



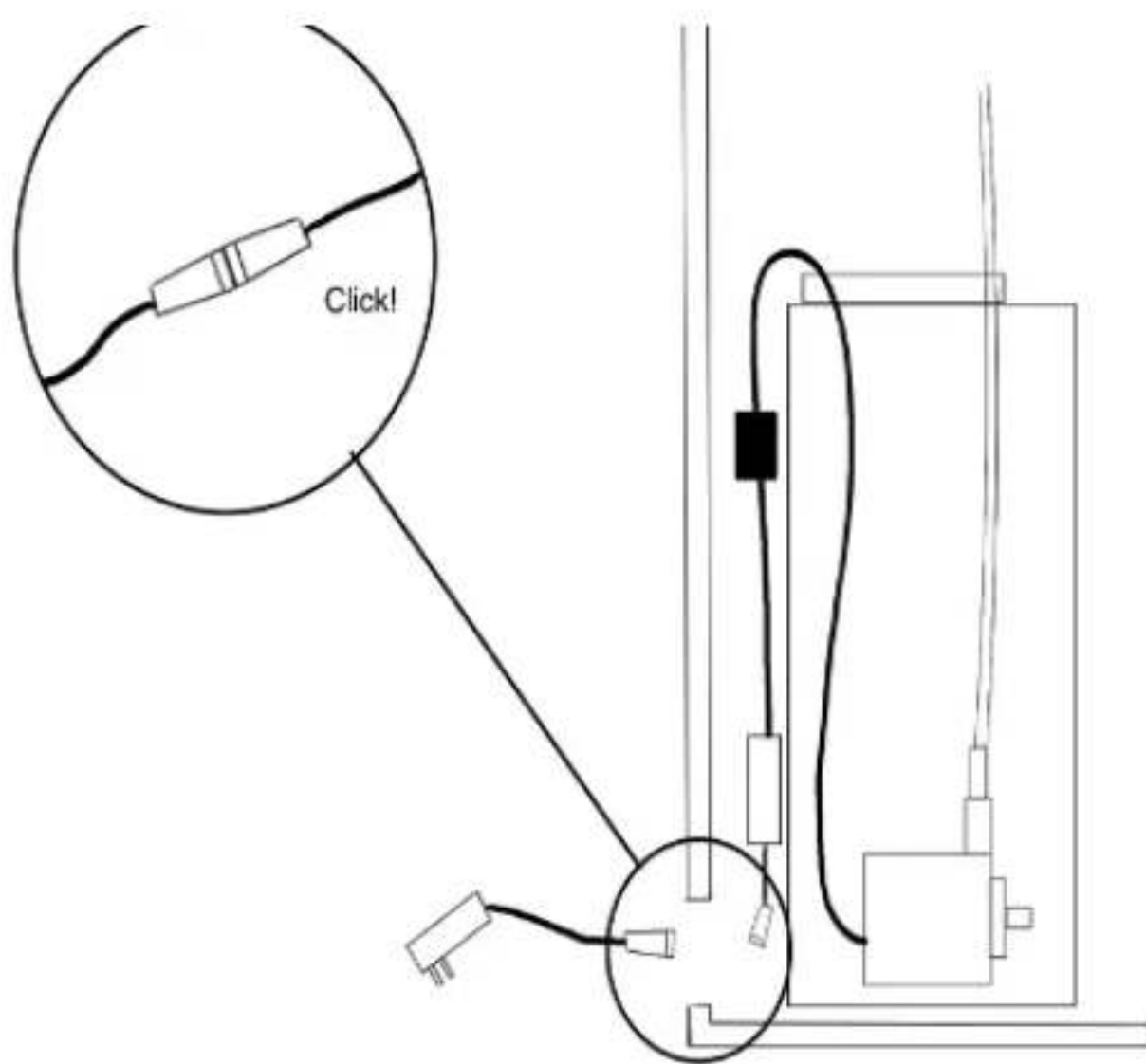
Note: Your pump is already pre set for the irrigation for 20 seconds ON and 30 minutes OFF.



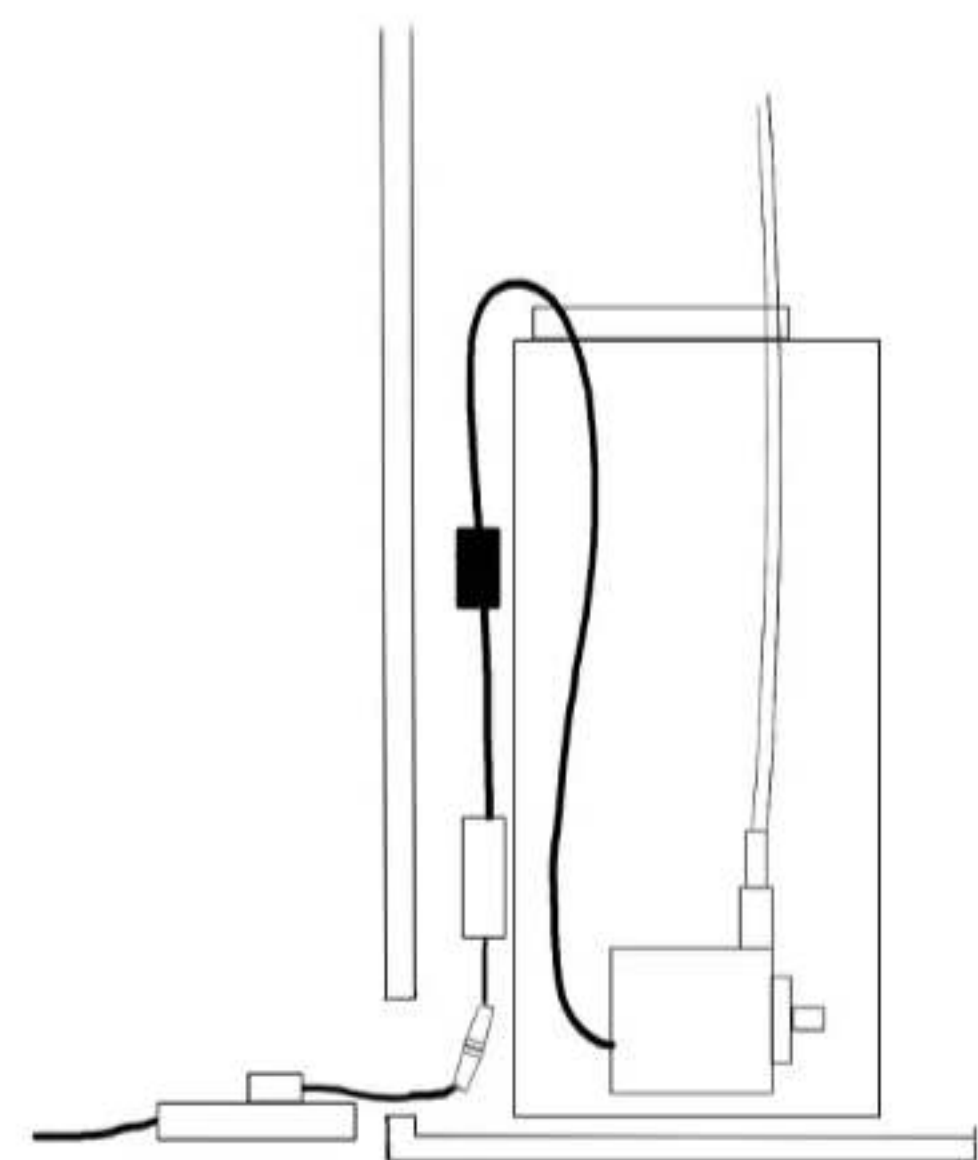
DISCONNECT THE QUICK CONNECT



PASS THE QUICK CONNECT THROUGH THE OPENING IN THE CABINET AS SHOWN



CONNECT THE QUICK CONNECTS AS SHOWN



PLUG THE PUMP POWER CABLE INTO THE POWER BAR AS SHOWN

Note: for the first 5 times your pump starts running, you will notice a buzzing sound. This is normal for new pumps.

Set-up

6. To set the light timer:
 - a. Press the C button to reset the timer.
 - b. Set the time & date on the timer to the current time using the D, H & M buttons. . To set the light timer:
 - a. Press the C button to reset the timer.
 - b. Set the time & date on the timer to the current time using the D, H & M buttons.
 - c. Press the program button P. On the left side there will be '1ON'.
 - d. Using the H and M buttons set the time you would like the EVE lights to come ON.
 - e. Press the program button P. On the left side there will be a '1OFF'.
 - f. Using the H and M buttons to set the time you want the EVE lights OFF. We recommend the 18 hours of light for optimal plant growth.

Note: You will not be able to make changes to your timer if the 'ł' is visible on the left side of the display. This is a lock on the timer to protect your settings. In order to remove the 'ł'. Press the CR button 4 times, the 'ł' display should disappear from the bottom left corner in the display and you can now make changes.

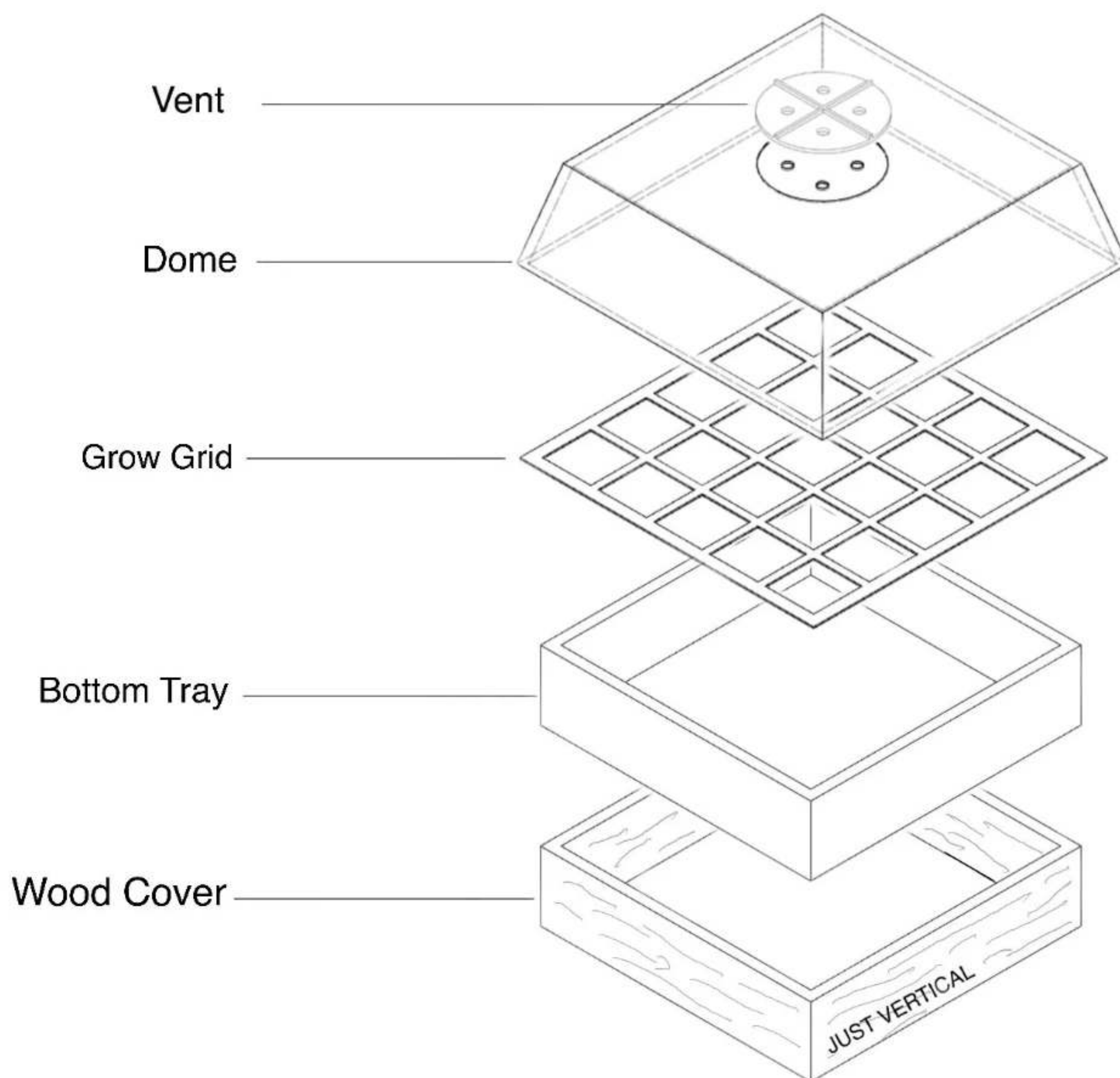
7. Check that your clear hose (which supplies the water) is firmly into the tee (give it an extra push just in case you are stronger than us!) and is running into the reservoir.
8. Make sure your reservoir is directly under the black drain.
9. Fill your water reservoir with cold tap water.
10. Make sure the light power cable and pump power cable are plugged into the extension cord.
11. Plug the extension cord cable into the GFCI Cable. Plug your GFCI cable to the nearest outlet and press the reset button on the GFCI cable. Your EVE will now come to life.

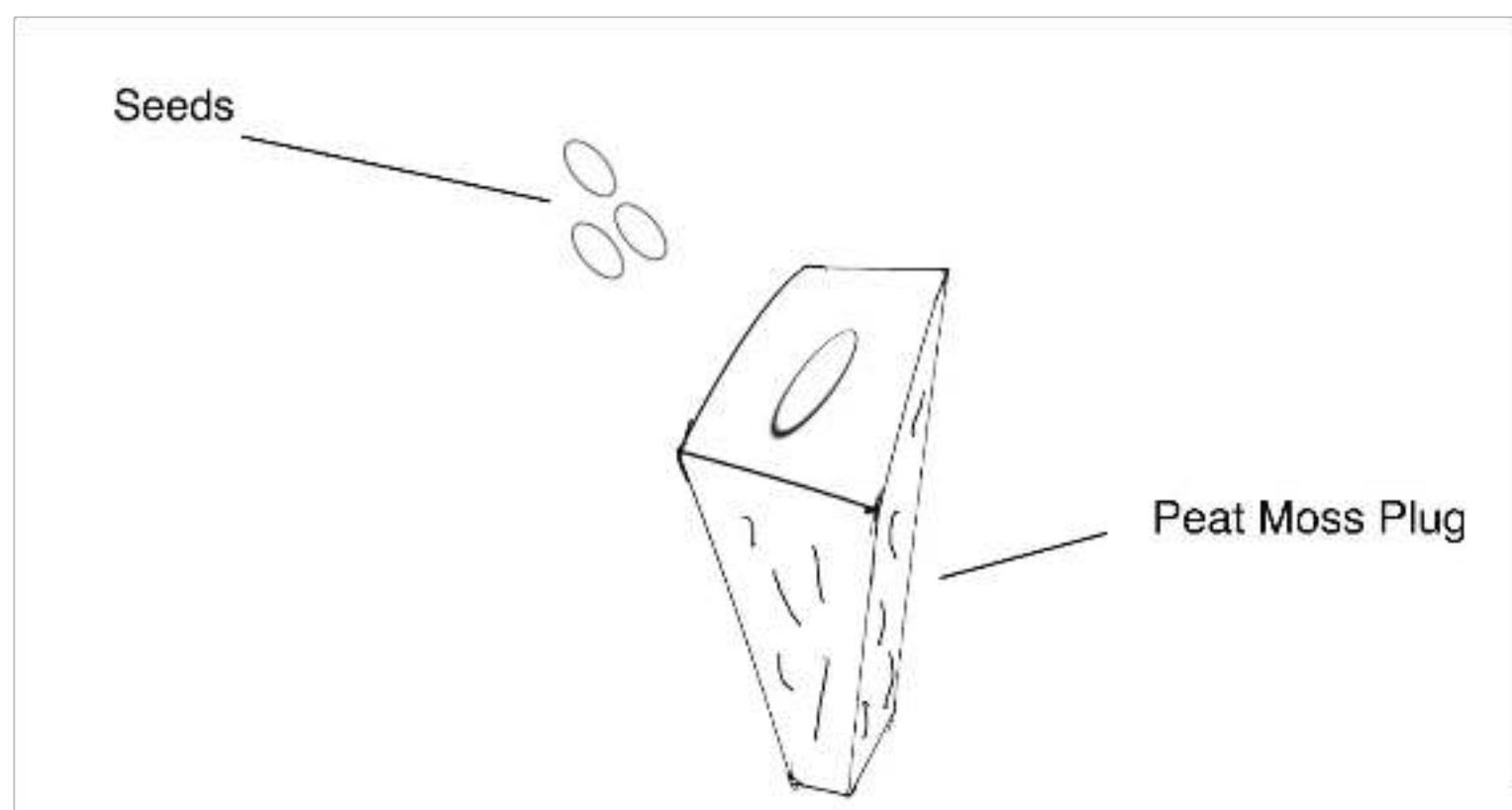
If you are still having trouble please refer to the Visual Guide for your EVE or reference the troubleshooting section on page 12.

Planting Seeds

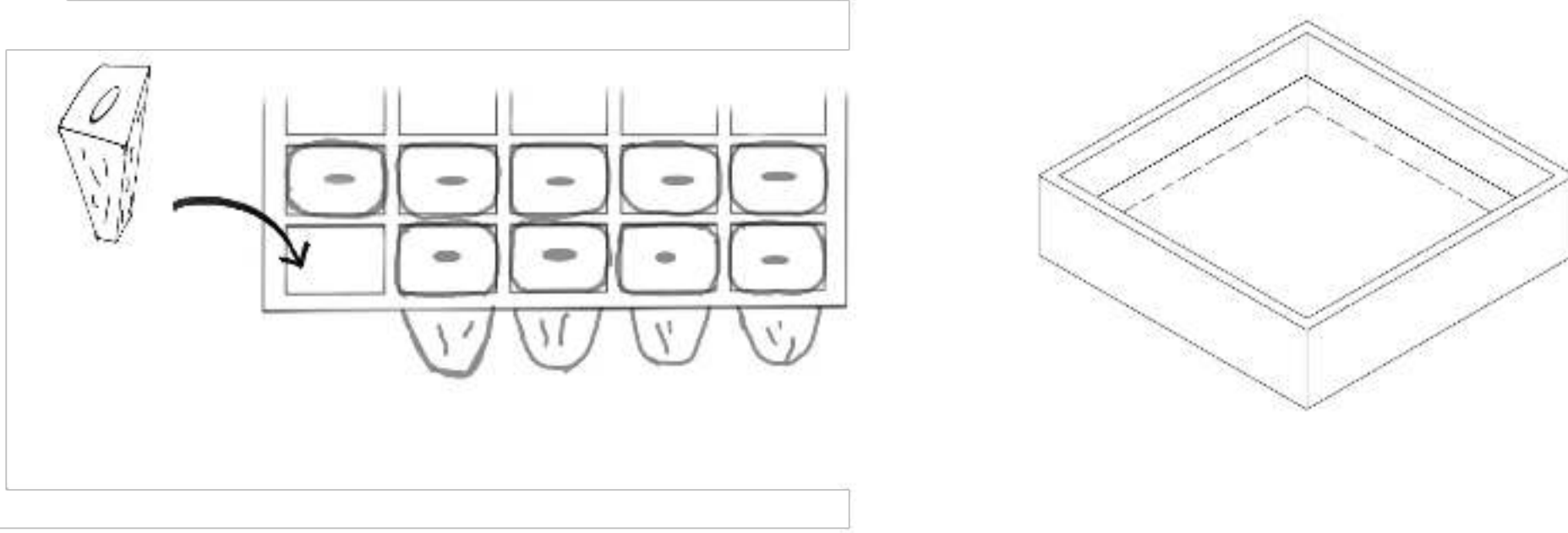
When you order seeds from Just Vertical you are getting the guarantee of seeds that we have tested ourselves. If any of our seeds don't germinate within 21 days we will replace them for free! Seeds are a living thing and sometimes they just don't germinate, so don't worry if a few don't come out right away!

You will use your seedling starter kit to start your seeds

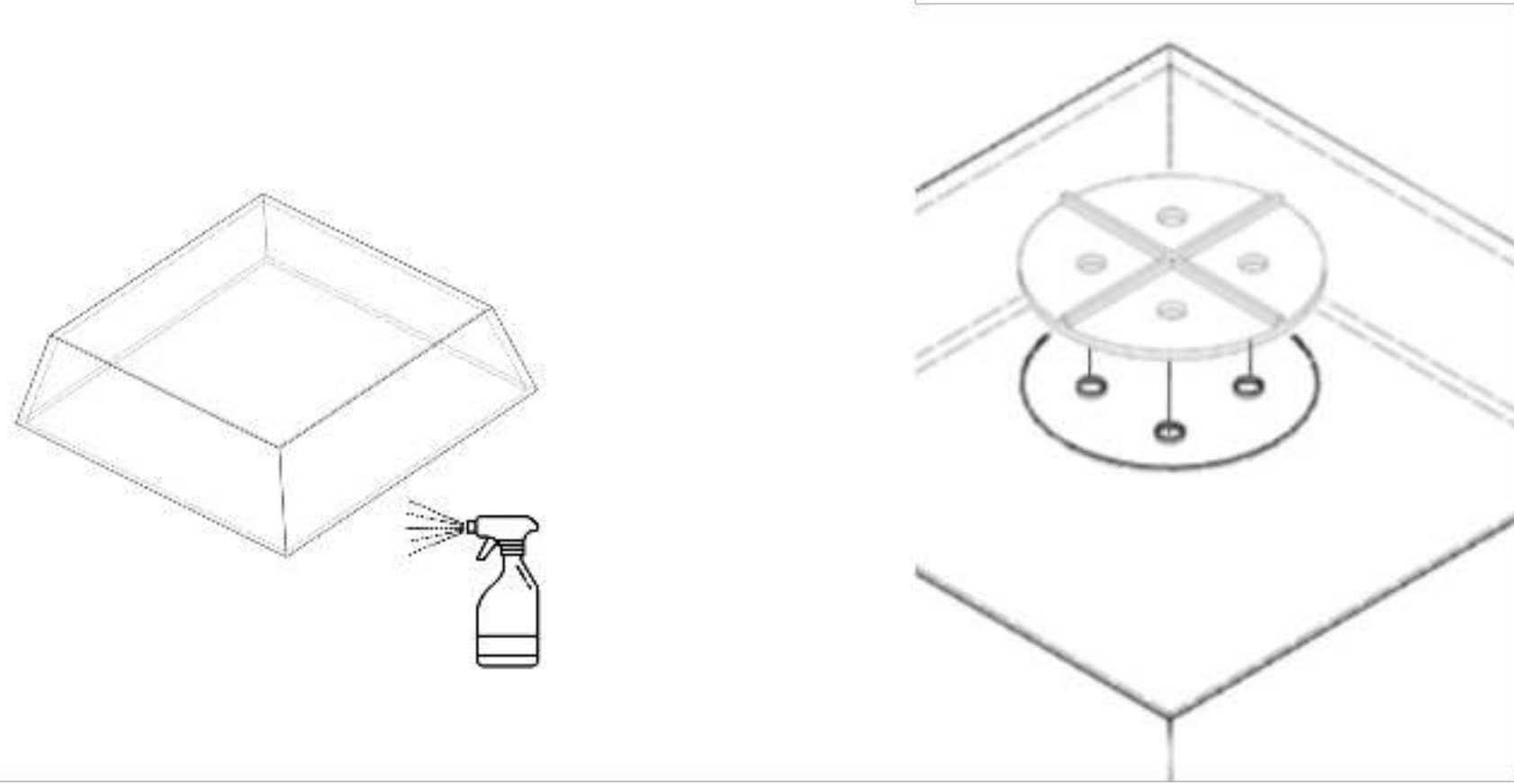




Begin by inserting the seeds into the plug, you want to use all the seeds provided. Aim for at least 2 seeds per plug



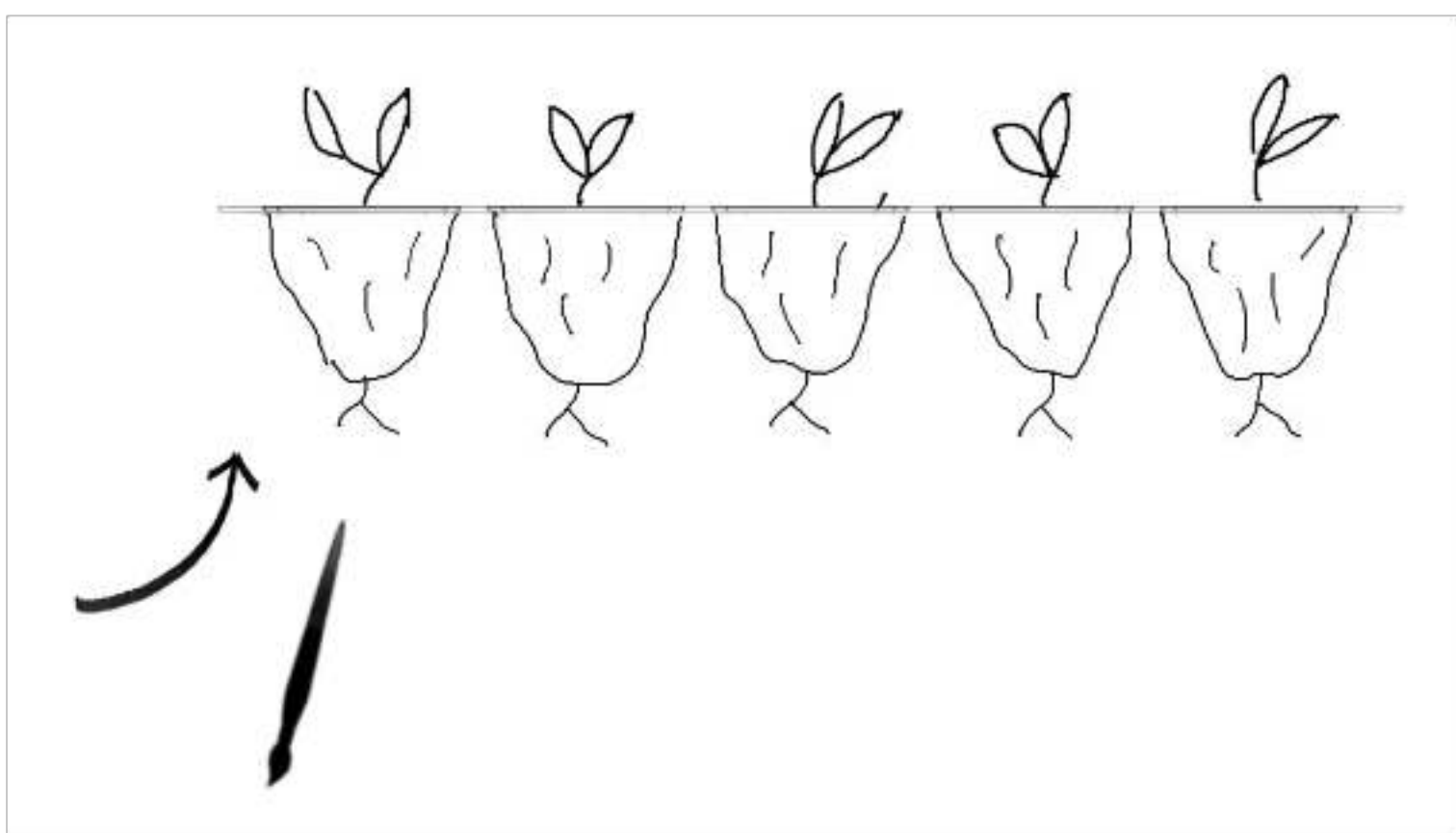
Put the seeded plug into the grow grid in the black plastic tray. Fill the bottom black plastic tray halfway with cold water



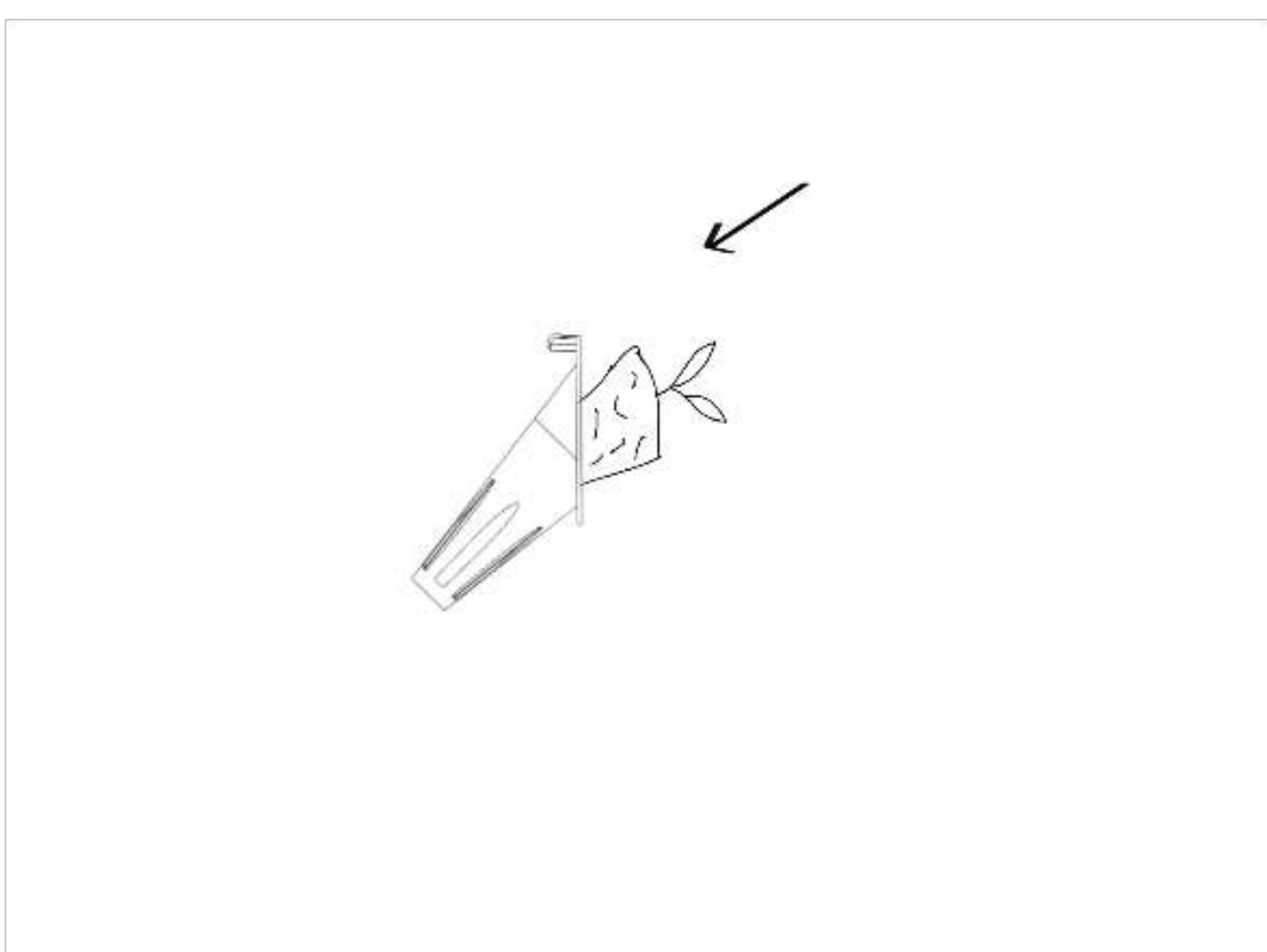
Spray the inside of the lid with warm water and make sure the vent is aligned at the top so the holes are 'open'



Place the whole kit somewhere with light and warmth. Right beside the lights of your EVE works well! Alternatively, a window works well too. Wait for your seeds to germinate



Use a slender object like a pen or paintbrush to gently poke your seedlings out from the bottom



Transplant into the EVE pods directly with the plant matter facing the lights

A NOTE ON NUTRIENTS AND HOW MUCH TO USE

Nutrients are the Food for the Plant

Using Nutrients

Using nutrients is an easy process. If you are starting from a brand new tank of water you put a little more, if you are just topping up you put in a little less. This is because some nutrients will always remain in the water from last time.



When transplanting your seedlings into your EVE you will use Aqua Vega nutrients. Add 20ml of A and 20ml of B to the 12L reservoir to start and then after that add 10ml of A and 10ml of B every two weeks



If you are growing flowering plants such as strawberries and tomatoes. Once the flowers start to bloom, you will start with a fresh reservoir and add 30ml of Flores A and 30ml of Flores B. You will then add 10ml of Flores A and 10ml of Flores B every 2 weeks.

Common Questions

Q: What are the 'nutrients'?

A: Nutrients are the basic building blocks of plant life made up of phosphorous, potassium, and nitrogen.

These are the same elements you find in garden soil.

Q: How are they made?

A: Our nutrients are a mix of salts that are put into water. They are chosen together to provide the best base for plant growth. Each salt is made differently, our calcium for example is derived from limestone.

Q: Are these natural?

A: Yes, they are quite literally salt of the earth!

Q: Can I store both A & B in one bottle?

A: No you cannot. If you try they will start to bond to each other in the bottles. They are only meant to be mixed when ready for the plants.

Q: How should I store the nutrients?

A: Store your bottles in a dark area at room-temperature (in the EVE's cabinet works).

Q: What is the recommended pH for plants?

A: The recommended pH is 5.5 - 6.5.

Q: I am monitoring TDS what should I aim for?

A: Lettuce & arugula (500-750ppm/ 1.0-1.5 mS/cm).

Kale and brassicas (600-1000ppm/ 1.2 -2.0 mS/cm). Herbs (600-800ppm/ 1.2 - 1.8 mS/cm), Flowering (600-1000ppm/ 1.2 - 2.0 mS/cm).

Pruning, Stakes, & Pollination

Pruning

Pruning is important to stop plants from overcrowding in your system. It also helps to keep them growing straight and proper. To prune your plants, use clippers, pruners, or your fingers to take off any yellowing or dead leaves (don't worry you will normally get a few of these per plant!). Next, if leaves are growing directly into the light bulbs take those off as they will 'burn'.

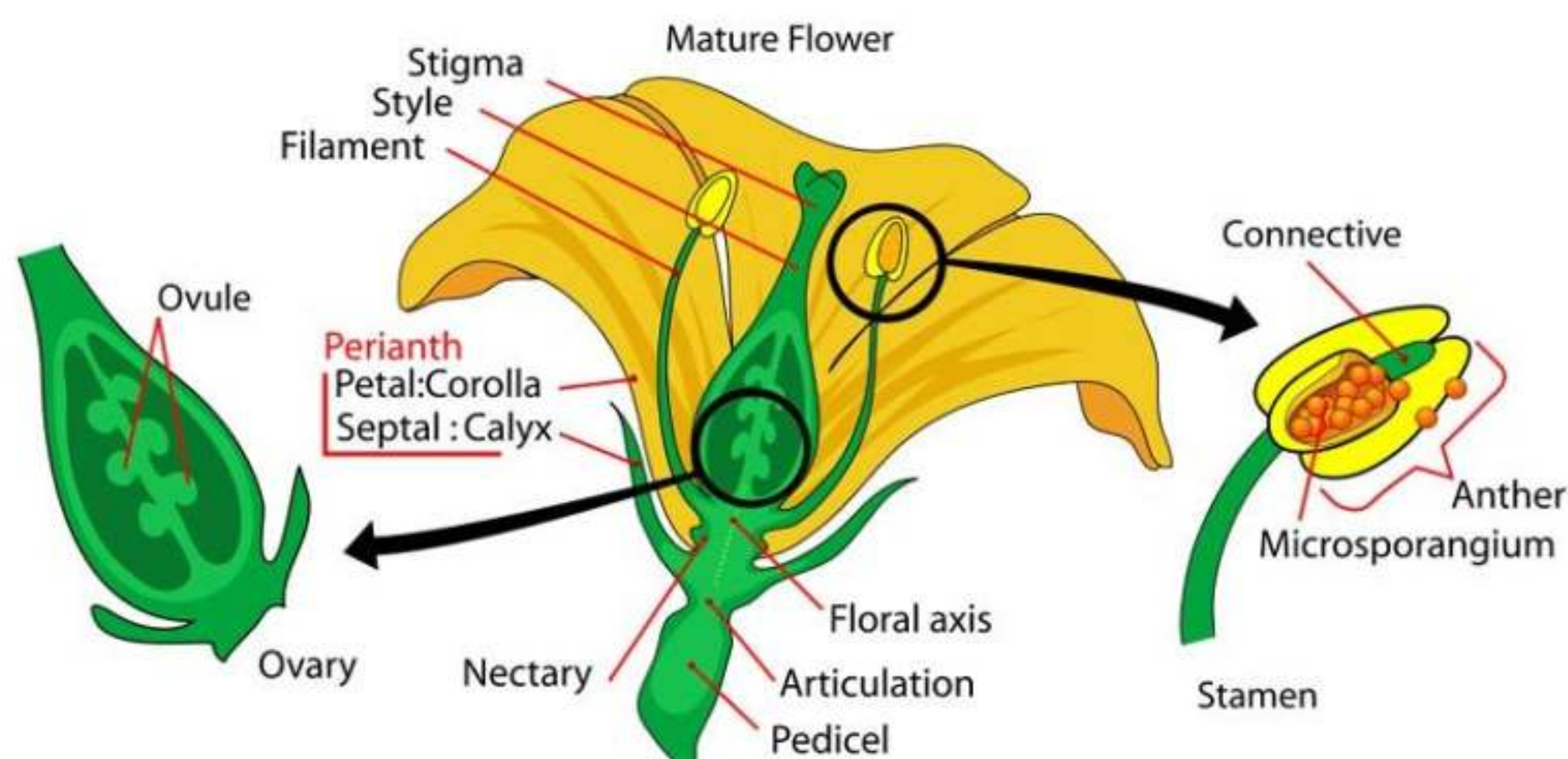
Stakes

Stakes are used when your plant has grown to about 6' (15 cm) in size. the plant support helps the plants to continue to grow in an upright position and makes sure no water can come out the front face of the AEVA. To install the plant stake, slide the stake in between the peat moss plug and the black pod. Then loosely tie the plant to the support.

Pollination

Only flowering plants require pollination. Pollination is how fruits and vegetables are produced from flowers. When you are gardening indoors there are no natural pollinators like bees to move pollen, so you have to improvise! The two common plants that are grown in the AEVA requiring pollination are tomatoes and strawberries. To pollinate these you have three options: by hand, vibration, or wind.

To pollinate by hand use a small brush (toothbrush, paintbrush, makeup brush, etc) to move the pollen within the flower from the male to female portion by brushing the middle of the flower then the sides. Vibration pollination works shaking the pod gently so that the pollen comes loose. Wind pollination can be done by setting up a small fan nearby to generate air movement causing the pollen to move around. This should be done once a day for 3 days and then leaving a day of rest before repeating. See below for all the parts of a flower!



Harvesting

Common Leafy Greens & Herbs

When harvesting there are three rules to follow:

1. Taking more than 1/3 of the plant at once can shock and kill it so be careful.
2. If the main stem is going 'woody' then the plant is bolting and it is time for a new one.
3. If your plant is growing flowers and the stem is becoming solid wood it is time to replace it.

Arugula

Arugula is ready to harvest 3-4 weeks after germination. You can harvest continually by taking only a few leaves at once or take the whole plant at once.

Lettuce

Lettuce is another fast growing plant ready for harvest 3-4 weeks after germination. You can harvest continually by taking only a few leaves from the outside or you can take the whole plant at once.

Kale

Kale is meant to be harvested by leaf starting with the leaves closer to the base of the plant.

Spinach

Spinach can be harvested as baby spinach for a softer flavour in which case you can harvest by leaf. However, if you want mature spinach we recommend you take the whole head at once.

Basil

Basil can be harvested many times throughout its life and responds well to being trimmed. Cut basil from the top canopy of the plant to encourage fuller growth.

Mint

Mint tends to get fresher the more it is harvested and should be continually harvested once it is a 3 or more inches long. Harvesting mint is like cutting hair so trim it from the base making sure to leave it about 2 inches of growth to come back from.

Cilantro

Cilantro (also known as coriander) is ready to harvest when it is 6 inches tall. To harvest just pick off what you need or cut off a bunch at once. Enjoy the fresh tacos!

Rosemary

Rosemary is a slightly slower growing herb that is ready around 6 weeks of growth. Each time you harvest you can take about 2 inches off each branch.

Lemongrass

Lemongrass is a tropical plant with an elegant citrus flavour. It will be ready for first harvest when the stems are about half an inch thick. To harvest snip entire stalks closest to the main stem first as they have the best flavour.

Parsley

Parsley will take approximately 10 weeks after germination to fully develop and should be regularly pruned as it grows. To harvest cut the stalks from the outside in and as close to the base of the plant as possible.

Dill

Dill will take approximately 8 weeks to fully mature after germination. You can continuously pinch leaves off from the outside, or if you have a large plant feel free to take the entire stalk.

Harvesting

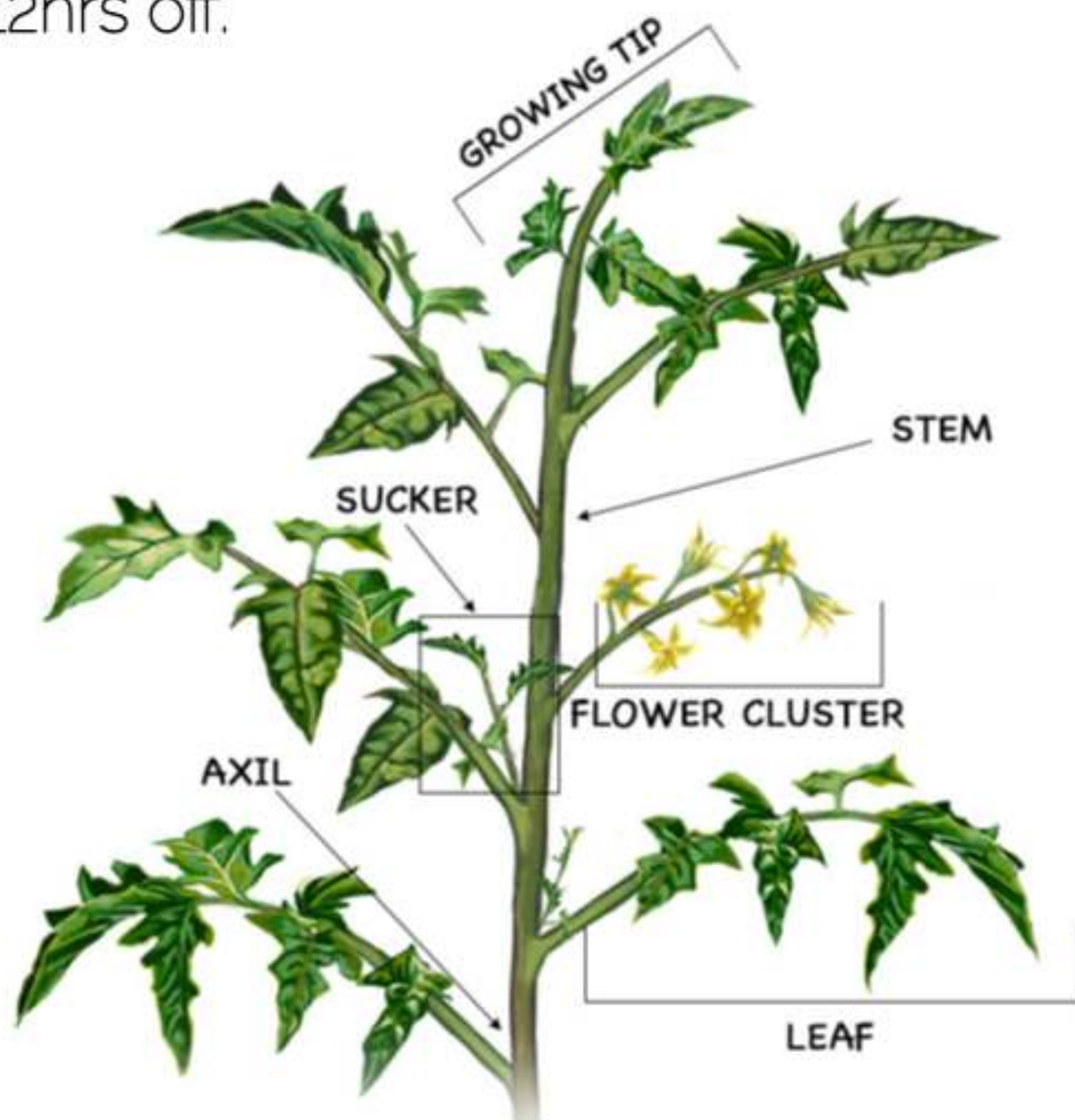
Strawberries & Tomatoes

Cherry Tomatoes

Cherry tomato plants take a bit more care and patience throughout their life cycle. These plants generally take 6- 8 weeks before producing ripe tomatoes.

Throughout the growing process you will want to regularly prune the plant cutting back some of the excess foliage. This will encourage the plant to produce tomatoes.

When pruning you should look for suckers that should be taken off (see diagram) these grow out of the elbow of the main stem and its branches. The flowers you see will eventually become tomatoes so make sure to take good care of them! When flowers emerge switch your light cycle to 12 hrs on/ 12hrs off.



Make sure to regularly pollinate the flowers and soon you will see green tomatoes. You will know they are ready to harvest when they turn to a bright red colour.

Strawberries

Strawberries can sometimes be a test of your patience. These plants can take several months (or even longer) before they begin to produce fruit.

Fortunately, once established strawberries can continue to produce fruit for a very long time!

With strawberries as soon as you see flowers ensure that you are regularly pollinating them and that you are using the Flores nutrient blend and you change your light schedule to 12hrs on/ 12 hrs off.



Looking for Something Else?

If there is something not on this list that you need help with feel free to reach out to us: support@justvertical.com

Troubleshooting (Hardware)

Despite our best efforts sometimes things still can go wrong with the EVE.

Lights are not turning on:

1. Is the power cable plugged into the the extension cord?
2. Is the power cable properly plugged in to the power outlet of the light box on the left?
3. Is the GFCI cable plugged into the wall?
4. Try pressing the reset button on the GFCI and checking the lights again.
5. Is there power going into your unit? Try plugging the extension cord directly into the nearest wall outlet.
6. Is there power going into that outlet in your home?
7. Is the dimmer turned all the way to the right? Try turning it all the way to the right. Your dimmer might just be too low.
8. Have you properly set your light timer? Refer to page 4 if necessary.
9. Is the quick connect cable properly connected to the quick connect port on the right of the light timer box?

Only one light is turning on:

1. Run through all steps as if both lights aren't turning on.

Light is flickering:

1. Is the power cable properly plugged in to the power outlet of the light box on the left?
2. Is the quick connect cable properly connected to the quick connect port on the right of the light timer box?

There is no water being delivered to the plants:

1. Are the plants pushed in as far back as possible into the pods?
2. Is there water in the reservoir above the minimum line?
3. Is the pump running?
4. Is the pump plug into the extension cord?
5. Are the quick connects cables for the black box and the pump properly connected to each other?
6. Check there is power to that outlet in your home.
7. Try turning the system off for 5 minutes and then turning it back on.
8. Check that the supply line is connected to the pump.

Water is leaking out the front face:

1. If the plant is drooping put in a plant stake.
2. Push the plug further down into the pod.
3. Check that the pipes and filter are not clogged by removing the drain piece and checking the filter inside.

Water is leaking from an inside pipe:

1. Check the supply line is securely in the tee (The tee is located in the cabinet and is where all 3 connections meet).
2. Check that the reservoir is directly underneath the black drain pipe.

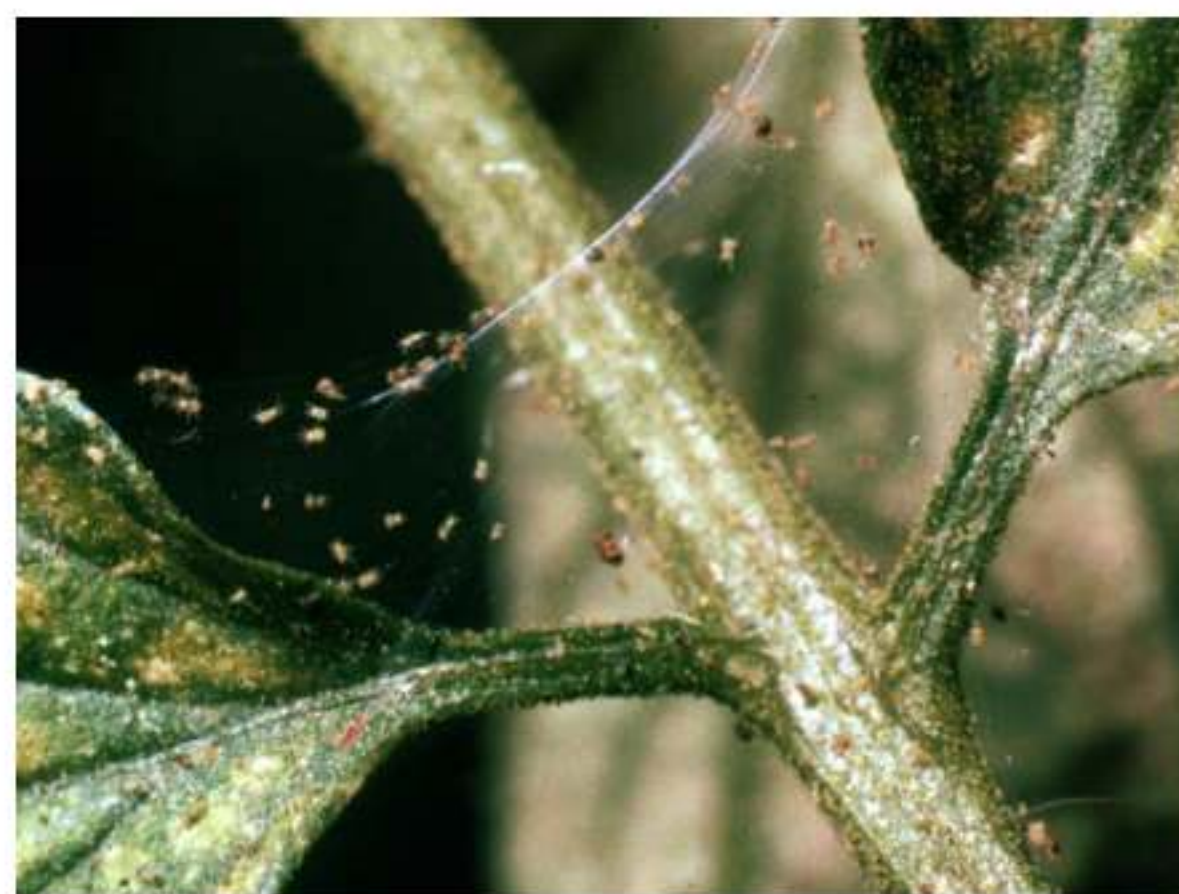
Troubleshooting (Pests)

Pests, though rare, can happen in indoor gardening. These are easily solved with some common household items.

Aphids (white and green-peach). These aphids eat leaves and suck sap from the stem. They are visible throughout their life cycle. They can be found laying their eggs on wet roots or other plant material. They are usually found on the underside of leaves or stems. In nature they are controlled by ladybugs or aphidoletes. In your home you can remove them with a natural dish soap and warm water. Spray the affected areas and let sit for 15 mins then wipe off the plant. Alternatively, you can spray with an insecticide.



Spider Mites. Spider mites cause leaves to look yellow or bronze in colour. These are typically controlled in nature by other mites. Spider mites are commonly found in dusty conditions, keeping humid clean air helps prevent them. To control spider mites use a natural dish soap and let sit on the leaves for 15 minutes before wiping them off. Alternatively, you can spray with an insecticide.



Fruit flies & Fungus Gnats. These flies like to lay their eggs in dark, wet conditions. They are only visible in the adult stage of their lives when they are flying around plants. They like to eat dying leaves to be sure to prune your plants to avoid them. They are best controlled with a nematode spray which is prepared by soaking a nematode sponge in warm water and then spraying directly on and around the plants. Alternatively, an insecticide can be used or yellow sticky traps can be placed to catch them. To avoid more of them make sure to sterilize and wipe down the face of the unit.

Algae and Mold control. To avoid algae or mold wipe down all front faces of the aeva and around the pods to limit algae growth. Algae likes to grow in cold wet conditions and in warm water.

Troubleshooting - Plants

Are your plants growing slower than expected? There could be one or more issues affecting this. First make sure your expectations are reasonable and in line with what plants are capable of (our system is amazing but not a miracle worker).

The most common issues we find are:

1. Temperature: If your plants are exposed to extremely hot or cold air (under heating vent or next to a door in the winter) this could be stunting plant growth.
2. Air flow: If your plants are not getting any air flow this can also stunt plant growth, ensure there is adequate air flow around your plants.
3. Nutrients: Having too high a concentration of nutrients in your reservoir can cause tip burn on your plants. This is exhibited by browning or yellowing of the leaves. It could also cause wilting or weakening of the plant. If a large quantity of nutrients were accidentally added to your reservoir it is recommended that you empty your reservoir and add fresh nutrients.
4. Nutrient deficiencies can be indicated by poor plant health. Indicators of these could be plant wilting, yellowing of leaves, browning of leaves, etc. Please refer to the nutrient section for correct dosing.
5. If you are running your EVE on well water or otherwise irregular water test the pH level of the water source. A pH outside of the normal range could negatively affect your plant growth. Heavy metals in the water especially can stunt growth.

At the end of the day plants are living, breathing, complex beings and sometimes do weird things. We are here to help, please consult our many resources at www.justvertical.com or reach out to us at: support@justvertical.com.



Maintenance

Maintaining your EVE is important for the health of your plants and maintaining the good looks of your unit. If you do not follow the regular maintenance protocol, there is an increased risk of slower plant growth or product malfunction.

Weekly Maintenance

STEP-BY-STEP GUIDE

STEP 1: Pull off any browning or dying leaves, these happen naturally in normal plant growth and pulling them off helps your plant grow.

STEP 2: Harvest consistently, eat what you grow and enjoy a bountiful harvest! Letting your plants get too big slows their growth and can cause complications by blocking out light from other plants or taking too much water.

STEP 3: Check that all your plants are fully pushed into their pods and have not shifted or been pulled forward while harvesting. If a plant or pod has been pulled forward it may cause water to run off the plant and down the front face of the unit.

STEP 4: Any plants that have grown past 6" in length should be given a support stake that is inserted underneath your plants, especially tomatoes. Any plants that start to droop pose a risk of causing water to drip down the front face.

STEP 5: Check your water levels and top up as needed. Add your nutrients every two weeks making sure to add 20 ml of Aqua Vega A and 20 ml of Aqua Vega B to your water reservoir.

STEP 6: Wipe off any debris, splashed water, or nutrient runoff weekly to maintain the visual appeal of your EVE unit.

Monthly Maintenance

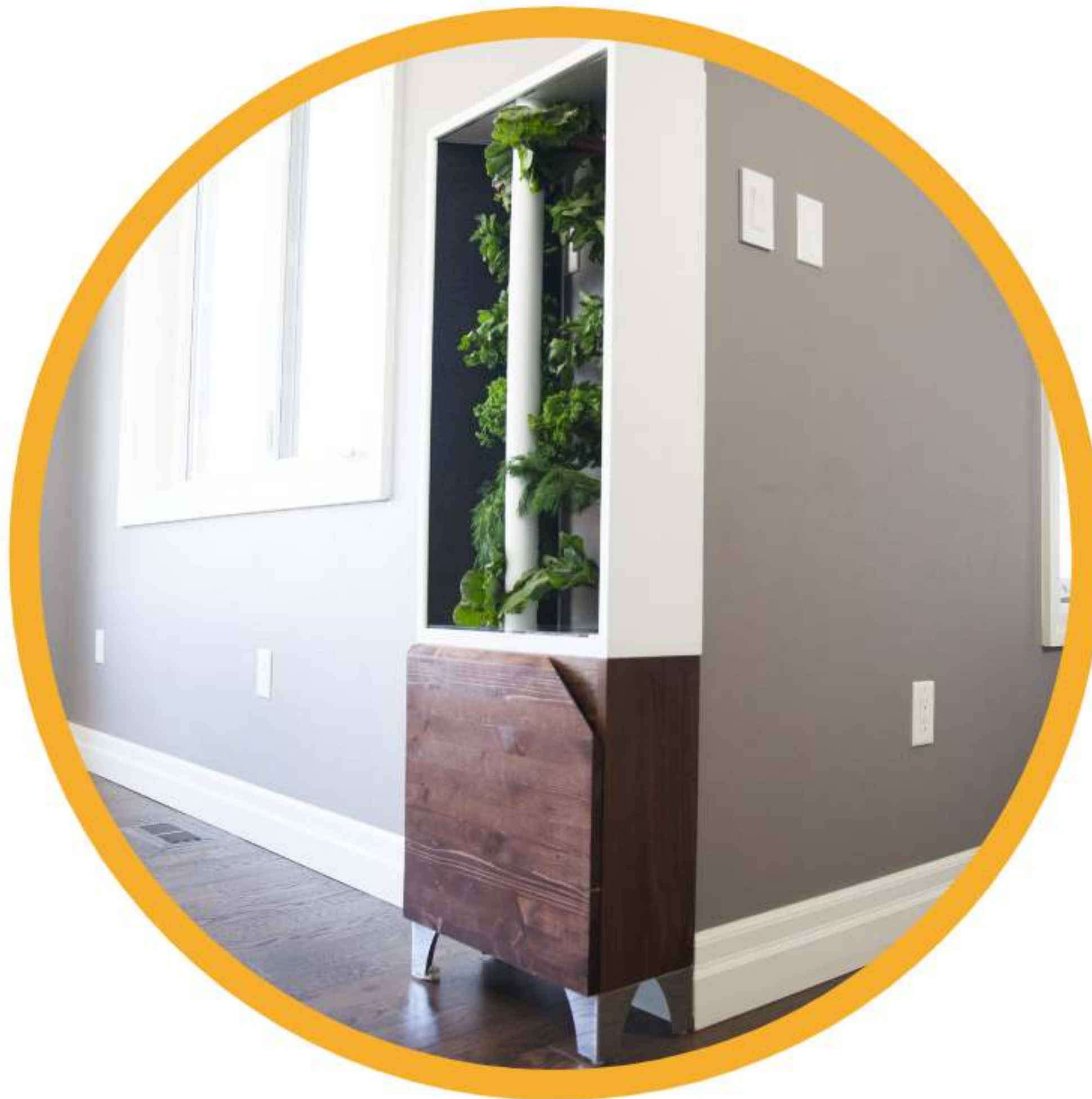
STEP-BY-STEP GUIDE

STEP 1: Wipe off any accumulation of debris or salt buildup from the inside of the reservoir, if there is any debris in the filter at the bottom of your reservoir clean that as well

STEP 2: Check your bottom pods to make sure no roots are growing into the drain pipe. If there is any roots in there simply pull them out with your hands gently breaking them off from their plants. If the roots coming out of the bottom pod are more than 3" long cut off any excess roots and compost them.

To see the video version of the weekly guide, please visit <https://youtu.be/hJuJGFn8dy>

To see the video version of the monthly guide, please visit <https://youtu.be/7yUxoBbDzaE>



THANK YOU!

Thank you for reading through the EVE manual and we hope that you are just as excited to grow as we are. If you have any questions or concerns please reach out to us via email: support@justvertical.com or through our instant chat bot on www.justvertical.com

WANT MORE GREAT CONTENT?

We have tons of great articles and additional information available on our website at www.justvertical.com. There you can learn about the importance of each nutrient, more about integrated pest management, and how you can grow your plants even faster!


www.justvertical.com



@justvertical



@just.vertical

A close-up photograph of a hand holding a green plant stem. The hand is positioned at the bottom right, with fingers gripping the stem. The stem is light green and has several leaves attached. The background is solid black, making the green of the plant and the skin of the hand stand out. The text is overlaid on the upper left portion of the image.

**We all know what
the right thing to do
is. We just need to
empower ourselves
and others to do it**

- From the Just Vertical Manifesto

**Growing together
Growing for future generations**